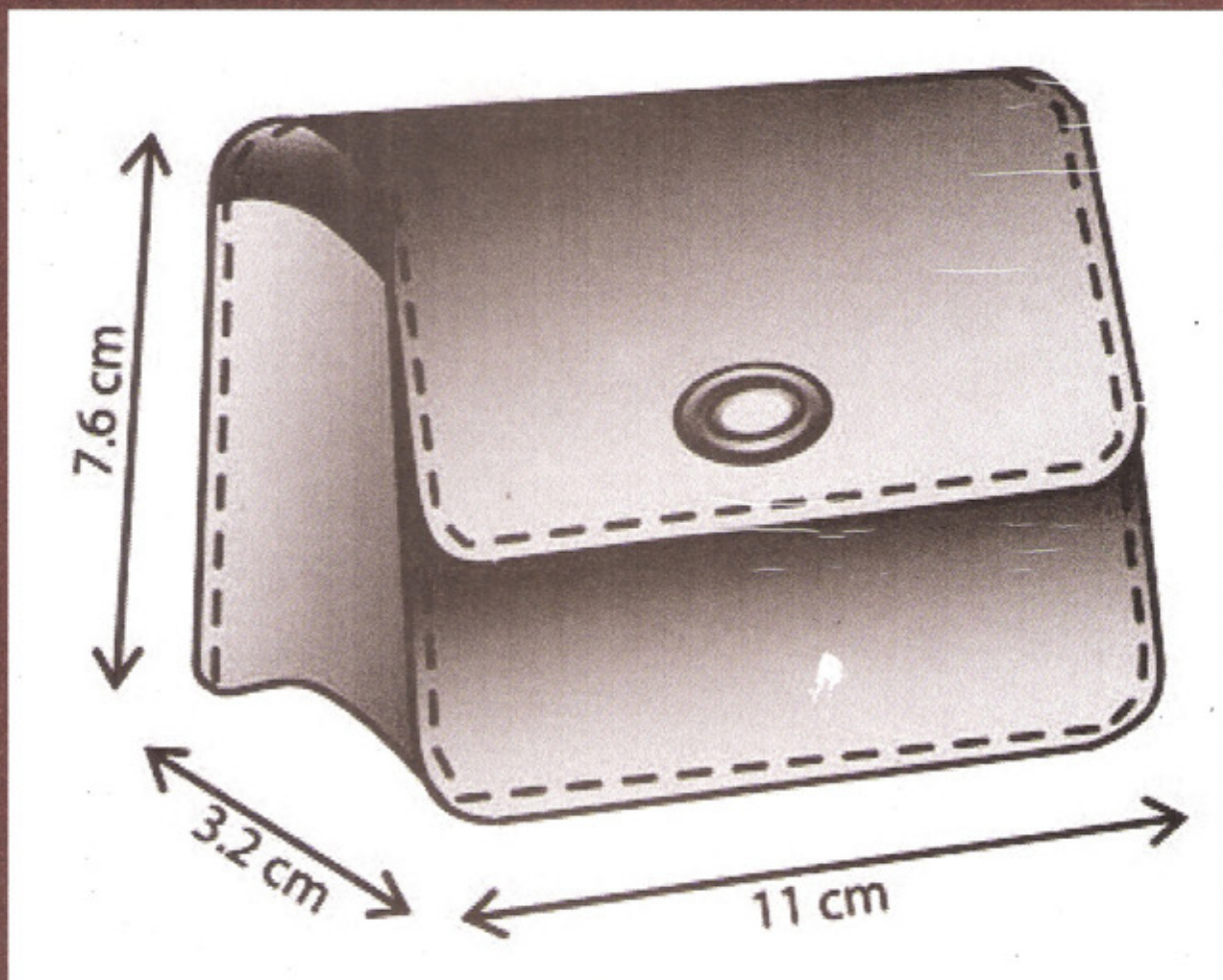


Pattern & Template Maker (Leather & Sports Goods)

SECTOR : LEATHER AND SPORTS GOODS

For Modular Employable Skills



**Directorate General of Employment & Training,
Ministry of Labour & Employment, Government of India**



**NATIONAL INSTRUCTIONAL
MEDIA INSTITUTE, CHENNAI**

ACKNOWLEDGEMENT

The National Instructional Media Institute sincerely acknowledges with thanks the contribution and co-operation extended by the following media developers and their sponsoring organisations to bring out this IMP for the *Pattern & Template Maker (Leather & Sports Goods)* under *Leather and Sports Goods Sector*

MEDIA DEVELOPMENT CO-ORDINATOR

Subhankar Bhowmik - DPA Grade "A", NIMI, Chennai

MEDIA DEVELOPMENT COMMITTEE MEMBERS

P.S.Suresh Kumar - Central Leather Research Institute, Chennai
R. Jagadeeswaran - Central Leather Research Institute, Chennai
M. Aranganathan - Central Leather Research Institute, Chennai

NIMI records its appreciation of the **Data Entry, CAD, DTP Operators** for their excellent and devoted services in the process of development of this IMP.

NIMI also acknowledges with thanks, the efforts rendered by all other staff who have contributed for the development of this book.